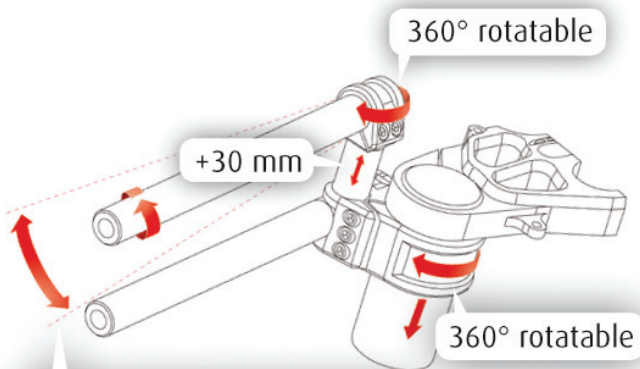


## Triumph Thruxton 1200 R '16-

D-Breisach a. Rh., 23rd August 2016 Also for this beautiful retro-racer - Thruxton 1200 R - the German manufacturer ABM offers specific highend-accessories.



### multiClip Tour



5° bend allows adjustment of 40 mm by turning the handle-bar stem



## Customizing handlebar area: KIT multiClip Tour Wider 70 mm & Higher up to max. 20 mm (as series)

KIT multiClip Tour

EUR 339,00

- + KIT ready to install including all necessary parts
- + Stepless adjustable clip-on ‚multiClip Tour‘
- + 5° bend of the steering allows individual fine adjustment
- + Laser scale for symmetric and correct setting in all positions
- + Highest safety [threefold clamp at the fork]
- + Order no: 10116820





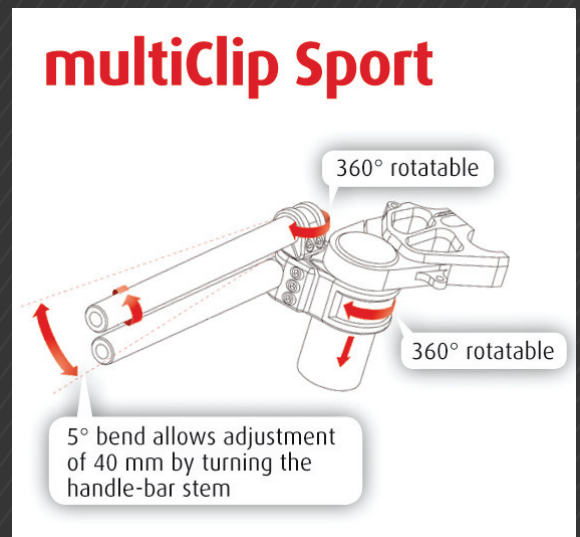
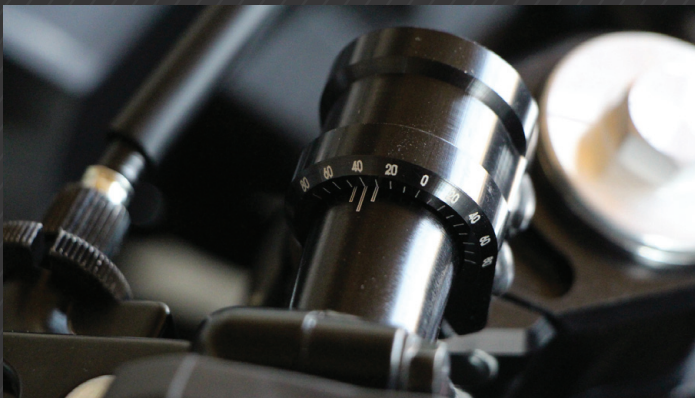


**ALTERNATIVELY possible: KIT multiClip Sport**  
**Wider 90 mm & Deeper 20 mm (as series)**

**KIT multiClip Sport**

EUR 339,00

- + KIT ready to install including all necessary parts
- + Stepless adjustable clip-on ‚multiClip Sport‘
- + 5° bend of the steering allows individual fine adjustment
- + Laser scale for symmetric and correct setting in all positions
- + Highest safety [threefold clamp at the fork]
- + Order no: 10157920





## Also possible



### Lever ‚WUNDERKIND-Design‘

EUR 139,00

- + Usable as brake and/or clutch lever
- + 6-point-adjustable high-precision lever
- + Adjustable while driving even with one hand
- + Black with expressive contrast-cut
- + Order no: ...clutch lever 58 / ...brake lever 11



### Lever ‚synto‘

EUR 99,90

- + Usable as brake and/or clutch lever
- + 6-point-adjustable high-precision lever
- + Adjustable while driving even with one hand
- + Choice of colour combinations
- + Long and short version available
- + Order no: ...clutch lever 58 / ...brake lever 11



### Hebel ‚syntoEvo‘

EUR 119,00

- + Usable as brake and/or clutch lever
- + 6-point-adjustable high-precision lever
- + Adjustable while driving even with one hand
- + Delivery includes long and short end
- + Choice of colour combinations
- + Order no: ...clutch lever 58 / ...brake lever 11



**bobbin**

**EUR 29,90**

- + Protects the swing arm from ugly scratches
- + No damage of the receptacle area after repeated use
- + Thread M8
- + Order no: 10017215

**Vertrieb**

ABM Fahrzeugtechnik GmbH  
Detlef Achterberg | Vertriebsleiter  
Tel. +49 [0] 7667 / 9446 - 11  
E-Mail: d.achterberg@ab-m.de

**Pressekontakt**

ABM Fahrzeugtechnik GmbH  
Tamina Bischoff | Marketing & Kommunikation  
Krummholzstrasse 5  
D-79206 Breisach  
Tel. +49 [0] 7667 / 9446 - 13  
Fax +49 [0] 7667 / 9446 - 63  
E-Mail: t.bischoff@ab-m.de  
Internet: <http://www.ab-m.de>  
Facebook: ABM Fahrzeugtechnik GmbH

Die ABM Fahrzeugtechnik GmbH ist Hersteller von hochwertigem Zubehör für Sport-Motorräder. 1985 von Arthur Berthold Munz gegründet und benannt. Geschäftsführer Christian Mehlhorn verantwortet seit 2010 rund zwanzig Mitarbeiter aus den Bereichen Entwicklung, Produktion, Marketing und Vertrieb am Standort Breisach am Rhein.



**ABM Fahrzeugtechnik GmbH**

Krummholzstraße 5 | 79206 Breisach | Germany  
Telefon +49 [0] 76 67 94 46 - 11 | Telefax +49 [0] 76 67 94 46 - 25  
ab-m.de