

PRESS INFORMATION

ABM ,leverSafe' with integrated handlebar ends

D - Breisach, 7th June 2018 The German motorcycle accessories manufacturer now offers high-grade lever protections with integrated handlebar ends.

These lever guards protect from accidental operation of the brake lever when getting in contact with other riders or obstacles, in urban and racing environments.

The high-quality parts are highly stable and consist of the lever guard, with the arms integrated into CNC-machined aluminium handlebar ends so that additional handlebar weights are not necessary.

Depending on grip widths the protecting arms can be extended to a length of up to 165 mm. Moreover, the mounting at the handlebar end is easily done by aluminium sleeves with 12 and 18 mm diameter.

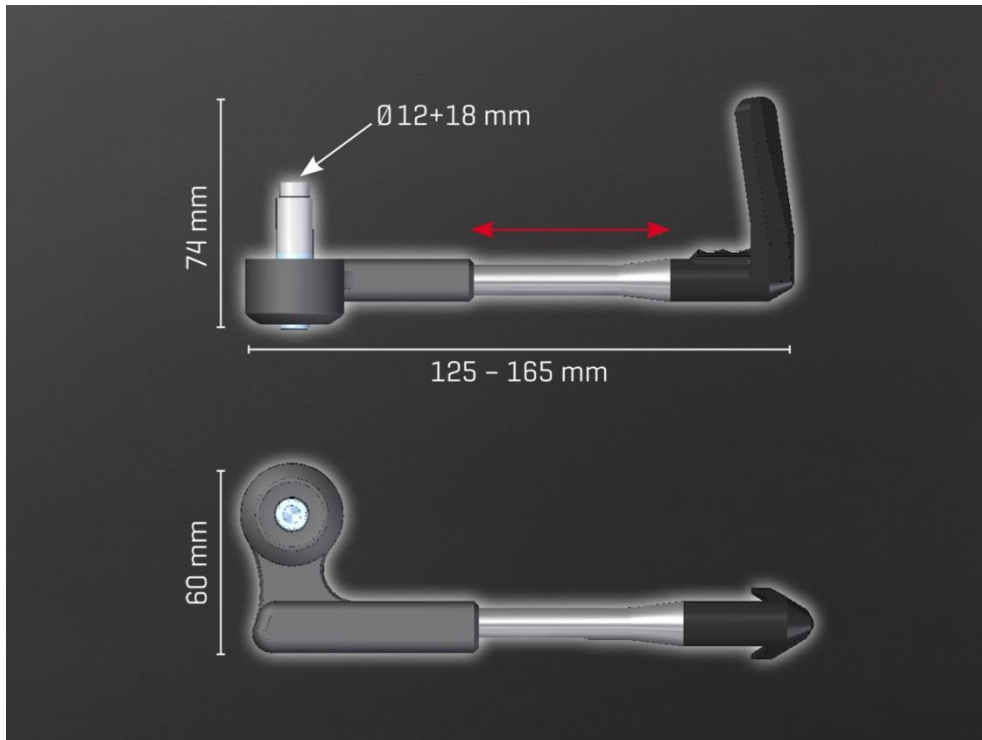
The lever guards can be used on almost all motorcycle handlebars for the brake or clutch side and are available in black-black or black-silver. A mounting instructions is also included in the delivery.

More information at ABM webshop: ab-m.de

Pic 1 of 4: ABM ,leverSafe' with integrated handlebar ends



Pic 2 of 4: Lever guards with adjustable arms



Pic 3 of 4: Universal lever protector fast and simple mounted



Pic 4 of 4: leverSafe protects against contact with other riders or obstacles



Press contact

ABM Fahrzeugtechnik GmbH

Tamina Bischoff

Krummholzstrasse 5

D-79206 Breisach

Tel. +49 (0) 7667 / 9446 – 13 | Fax +49 (0) 7667 / 9446 - 63

E-Mail: t.bischoff@ab-m.de | Internet: <http://www.ab-m.de>

Facebook: ABM Fahrzeugtechnik GmbH

ABM Fahrzeugtechnik GmbH is manufacturer of high-end accessories for motorcycles. The company was founded in 1985 and named after the founder Arthur Berthold Munz. Since 2010, Christian Mehlhorn has been the managing director who is responsible for about twenty employees in the field of development, production, marketing and sales at the permanent business establishment in Breisach am Rhein, Germany. Meanwhile, the company has launched two brands: ABM ergonomic style & WUNDERKIND-Custom.

