

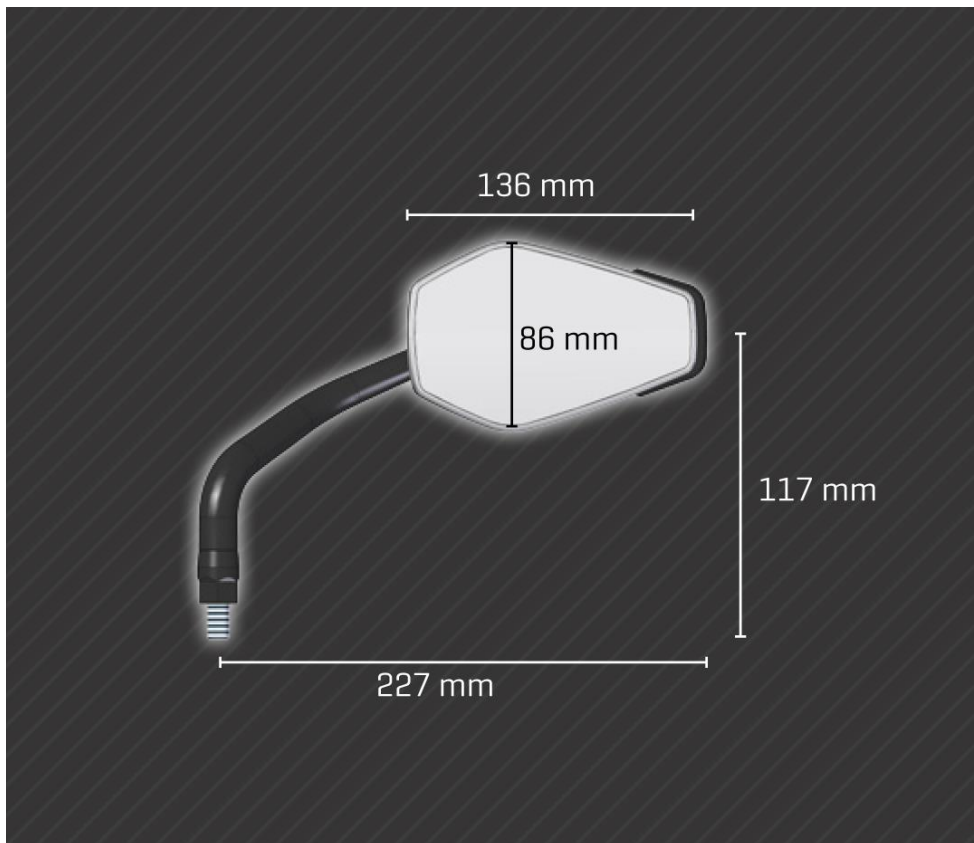
PRESS INFORMATION

D-Breisach a. R. / 1st July 2016

Mirror with swap-out housing

German parts and accessory designer ABM is offering a mirror housing exchange programme for cases where the housing has been damaged or scratched, but the mirror glass is still okay. The conically shaped mirror arm "offers more freedom of movement and is available for the left and the right. The tinted convex glass offers a larger field of sight and at the same time reduces irritating dazzling", says CEO Christian Mehlhorn. It comprises almost all widely used thread adapters, i.e. M10 x 1,25 right and left thread, M10 for BMW, M8 for right and left thread. Made from CNC 3D-machined aluminium; comes with E-test certificate.





Contact Sales

ABM Fahrzeugtechnik GmbH
Detlef Achterberg
Head of Sales
Tel. +49 (0) 7667 / 9446 – 11
Email: d.achterberg@ab-m.de

Press contact

ABM Fahrzeugtechnik GmbH
Tamina Bischoff
Krummholzstrasse 5
D-79206 Breisach
Tel. +49 (0) 7667 / 9446 - 13

Fax +49 (0) 7667 / 9446 - 63
E-Mail: t.bischoff@ab-m.de
Internet: <http://www.ab-m.de>
Facebook: ABM Fahrzeugtechnik GmbH

ABM Fahrzeugtechnik GmbH is manufacturer of high-end accessories for sport bikes.

The company was founded in 1985 and named after the founder Arthur Berthold Munz. Since 2010, Christian Mehlhorn has been the managing director who is responsible for about twenty employees in the field of development, production, marketing and sales at the permanent business establishment in Breisach am Rhein, Germany.

