

PRESS INFORMATION

Universal fender struts with integrated combo LED units

D-Breisach, 22nd May 2018 There is no need to improvise with unstable constructions anymore when converting the fender of a custombike.

The South German manufacturer for motorcycle accessories WUNDERKIND-Custom has added to its parts program a set of universal fender struts with integrated LED turn signal and rear / brake light combination unit.

A conversion of the rear fender usually requires new, reliably accurate struts to give the fender stability. Then the challenge to place indicators and the rear light where they look great and work well, with the cables routed as discreetly as possible.

“We have done all that for you. With nothing to cut or weld, this is a complete conversion kit, right down to the high-grade E-tested LED unit that is seamlessly integrated into the design at the top of the strut, adjacent to the fender for maximum visibility and a great, clean fully functional look,” says CEO Christian Mehlhorn.

The M6 thread on the taillight housing allows attachment to the fender without visible screw heads; the housing and strut itself can be rotated for different angles and a single M8 thread screw secures the strut securely to the rear swing arm. The struts are black plastic coated for durability with the wiring running internally.

More information under: wunderkind-custom.com

[Signs: 1368]



Picture 1 of 4: Universal fender struts including LED units



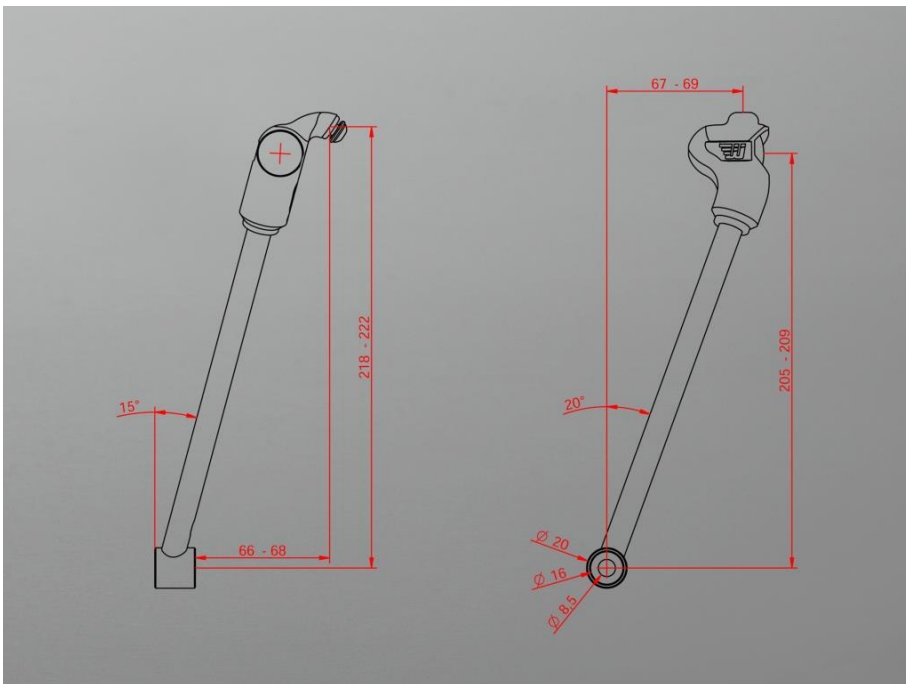
Picture 2 of 4: Struts with integrated turn signal, rear & brake light



Picture 3 of 4: Easily done – rear conversion with fender struts by WUNDERKIND-Custom



Picture 4 of 4: Adjustable – set of rear conversion by WUNDERKIND-Custom



Press contact

WUNDERKIND-Custom

A brand of

ABM Fahrzeugtechnik GmbH

Tamina Bischoff

Krummholzstrasse 5

D-79206 Breisach am Rhein

Tel. +49 (0) 7667 / 9446 – 13

Fax +49 (0) 7667 / 9446 - 63

E-Mail: tamina@wunderkind-custom.com

Internet: wunderkind-custom.com

Facebook: WUNDERKIND-Custom

WUNDERKIND-Custom is a German premium brand of ABM which produces high-end accessories for motorcycles. It has been founded in 2013 by family head and CEO Christian Mehlhorn. While in the beginning the brand produced parts only for Harley-Davidson motorcycles it now contains also products for many common bike brands and custombikes. All products are constructed, designed, manufactured and retailed under the umbrella of the well-known company ABM Fahrzeugtechnik GmbH in the south of Germany.

ABM Fahrzeugtechnik GmbH is manufacturer of high-end accessories for sport and custom bikes. The company was founded in 1985 and named after the founder Arthur Berthold Munz. Since 2010, Christian Mehlhorn has been the managing director who is responsible for about twenty employees in the field of development, production, marketing and sales at the permanent business establishment in Breisach am Rhein, Germany. Meanwhile, the company has launched two brands: ABM ergonomic style & WUNDERKIND-Custom.

